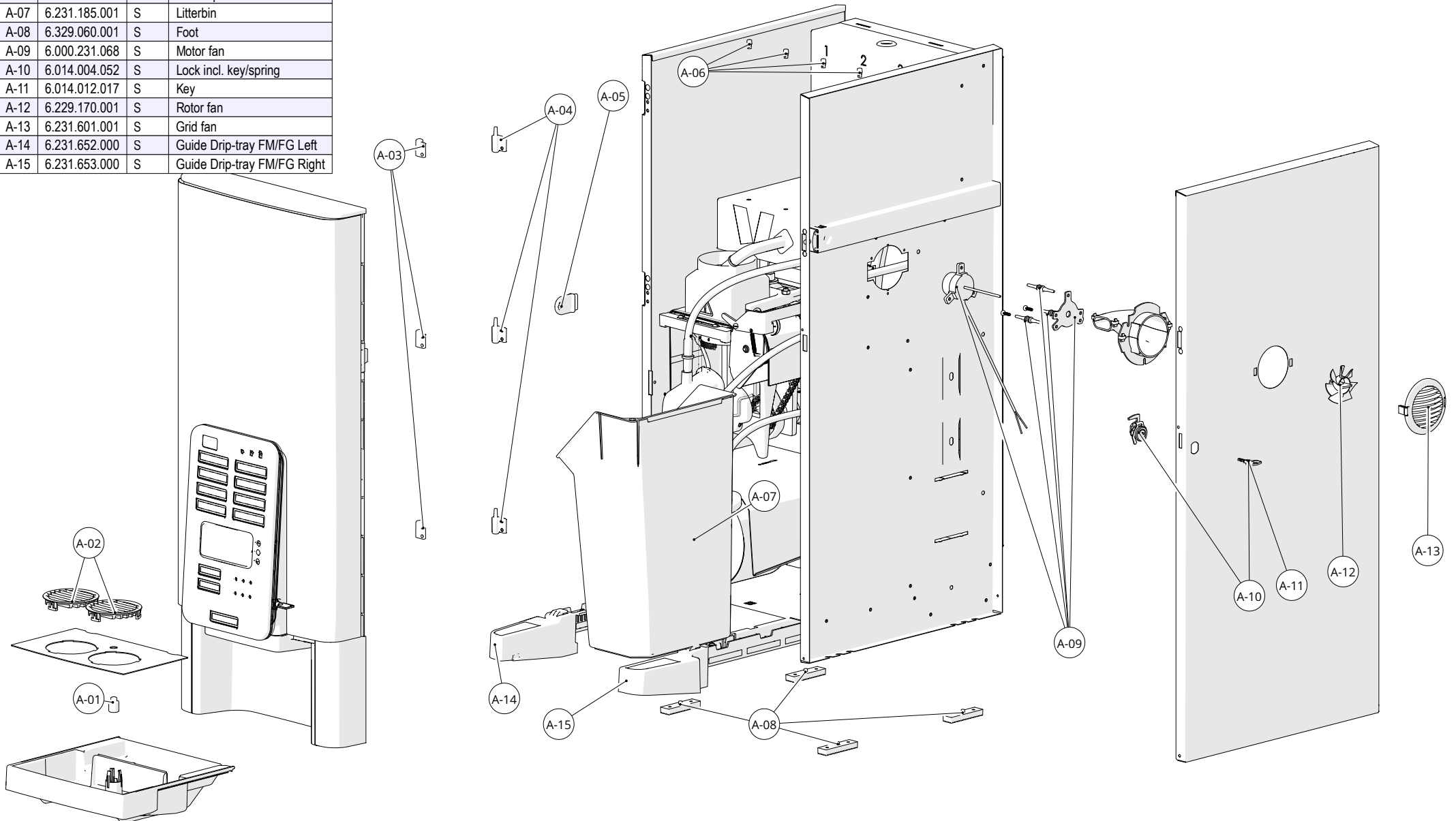
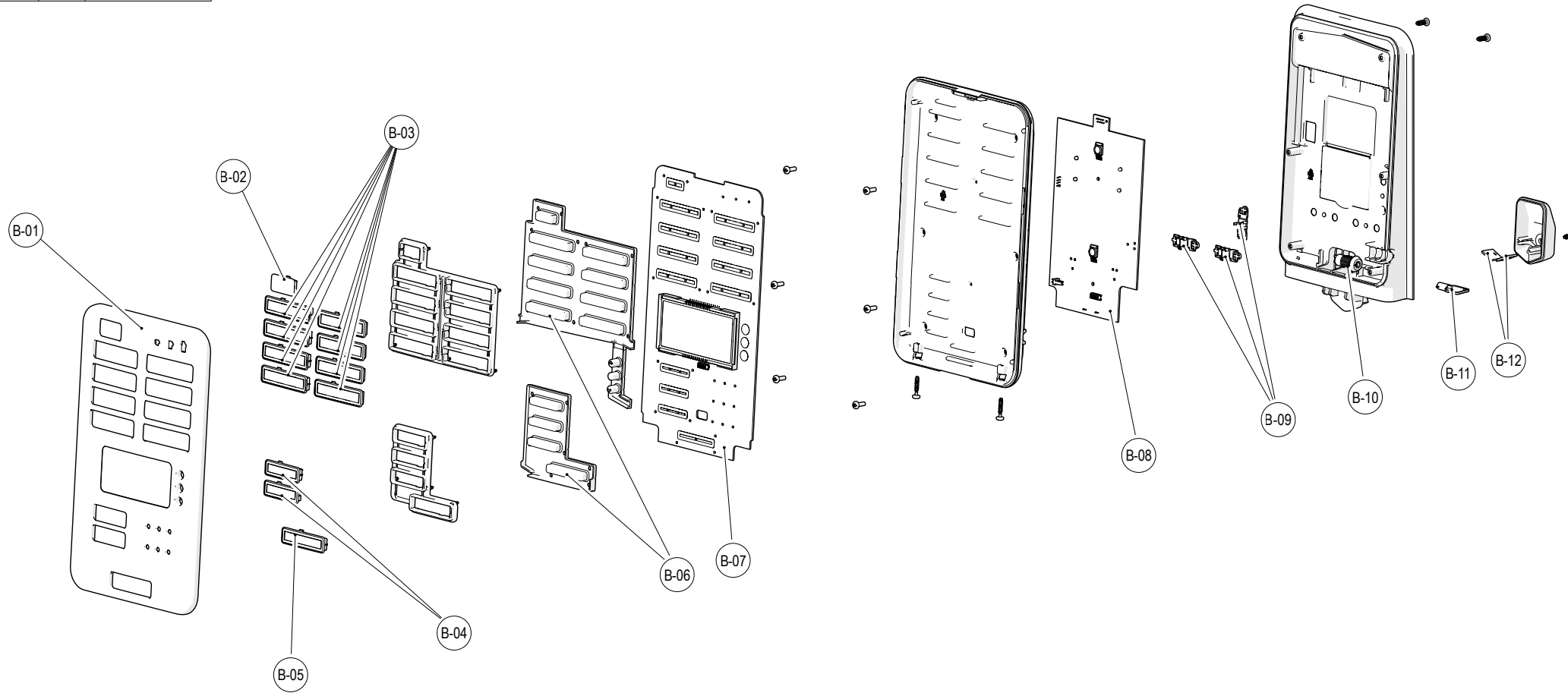


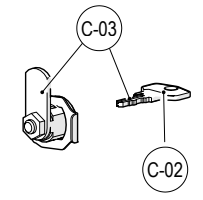
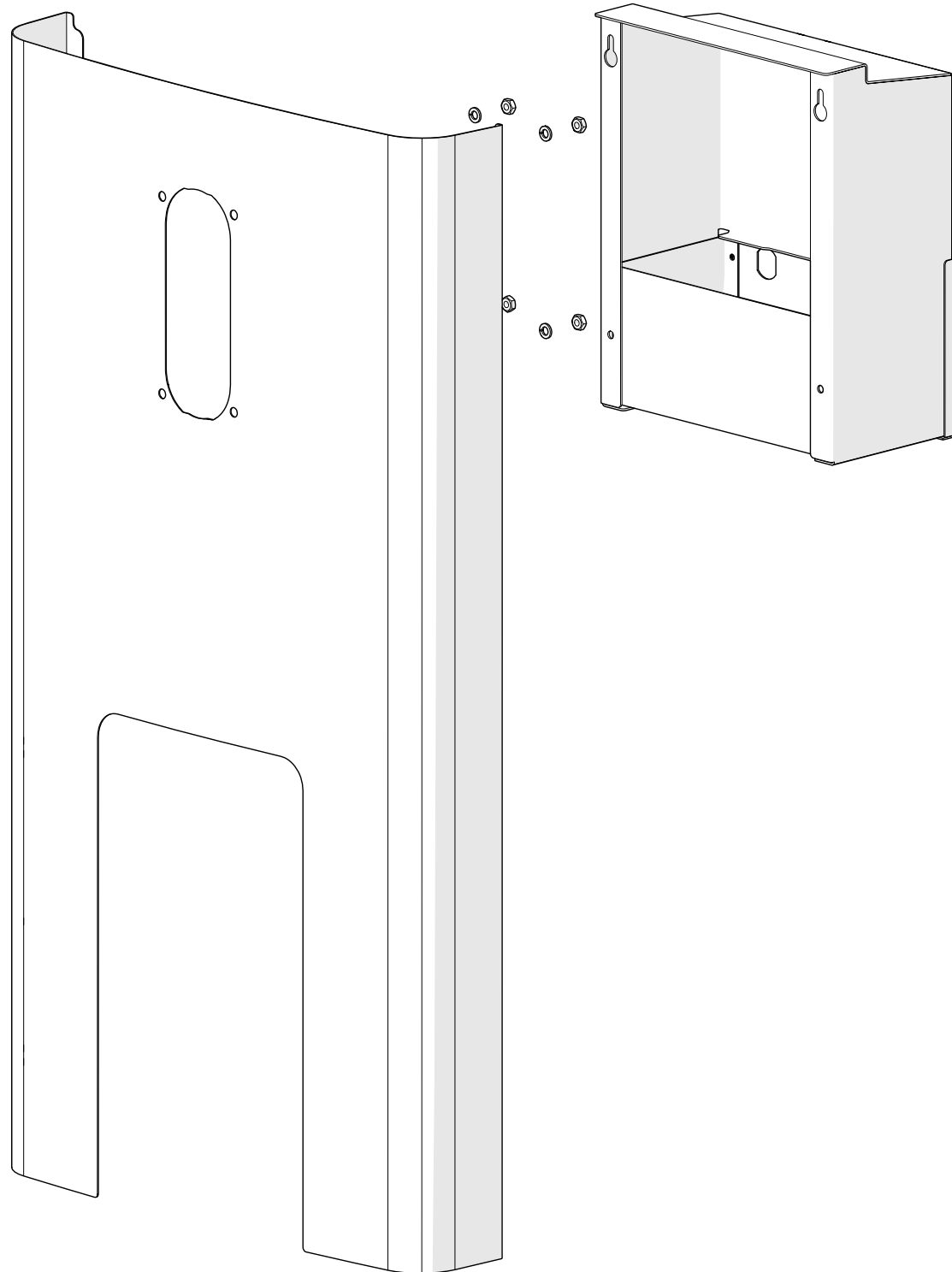
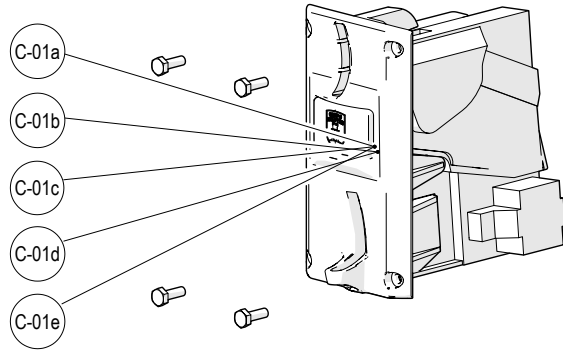
ID	Service parts	S-RS	Description
A-01	6.229.116.001	S	Float drip-tray
A-02	6.231.600.001	S	Grid for drip-tray
A-03	6.231.573.001	S	Hinge pin (upper part)
A-04	6.231.574.001	S	Hinge pin (lower part)
A-05	6.231.044.001	S	Service key
A-06	6.229.495.001	S	Plastic pin
A-07	6.231.185.001	S	Litterbin
A-08	6.329.060.001	S	Foot
A-09	6.000.231.068	S	Motor fan
A-10	6.014.004.052	S	Lock incl. key/spring
A-11	6.014.012.017	S	Key
A-12	6.229.170.001	S	Rotor fan
A-13	6.231.601.001	S	Grid fan
A-14	6.231.652.000	S	Guide Drip-tray FM/FG Left
A-15	6.231.653.000	S </tr	



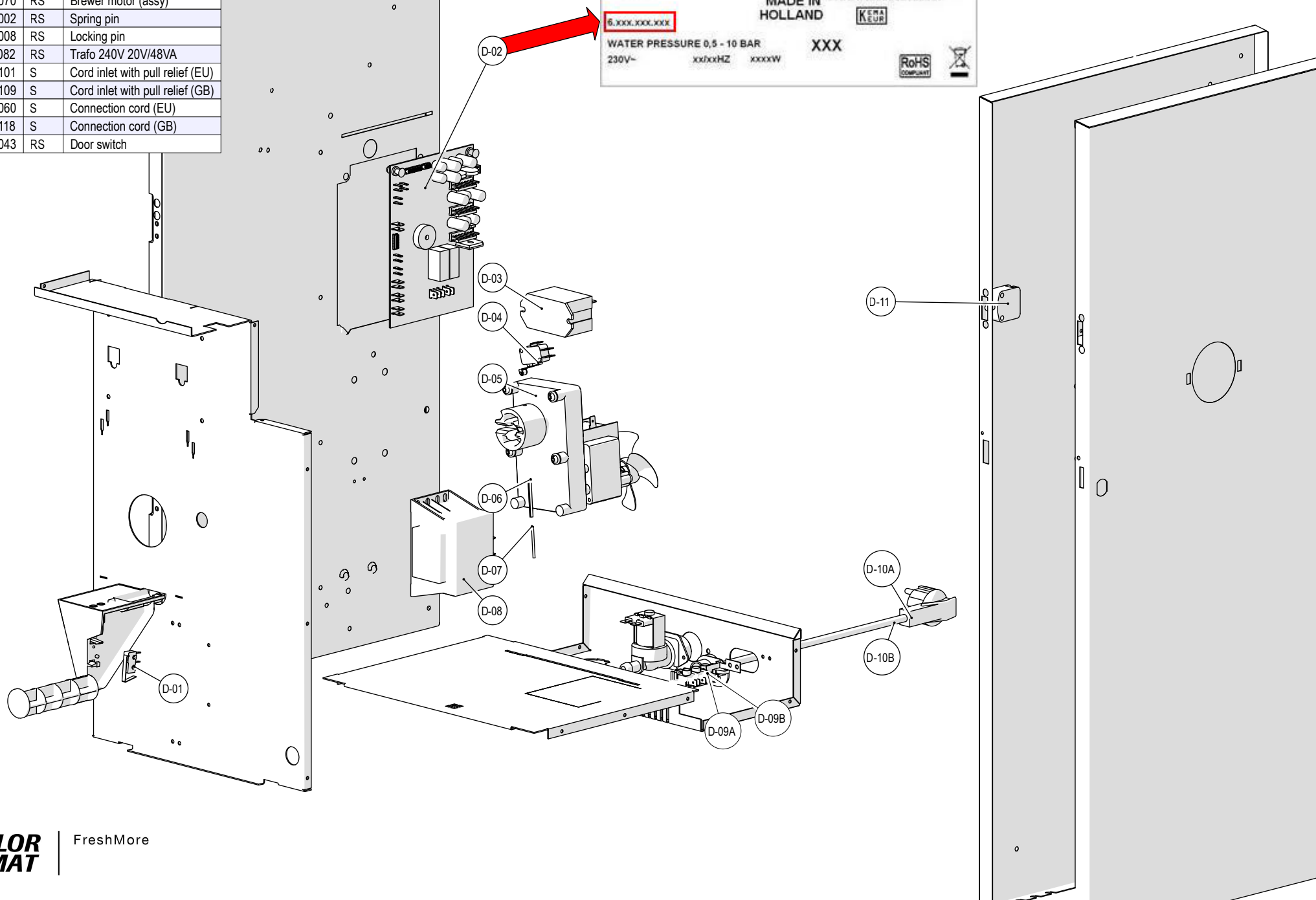
ID	Service parts	S-RS	Description
B-01	6.231.622.000	S	Service panel
B-02	6.231.593.001	S	Push button
B-03	6.231.594.000	S	Push button
B-04	6.231.595.000	S	Push button
B-05	6.231.596.000	S	Push button
B-06	6.231.623.001	S	Keys (assy)
B-07	6.329.301.000	RS	Keyboard (buttons)
B-08	6.329.302.000	RS	Keyboard (main-)
B-09	6.214.105.001	RS	Switch (impulse)
B-10	6.000.231.039	S	Key switch
B-11	6.004.017.014	S	Key
B-12	6.329.308.000	S	Cup illumination



ID	Service parts	S-RS	Description
C-01a	6.016.009.039	S	Coin mechanism Euro/GB
C-01b	6.016.009.040	S	Coin mechanism Euro/S
C-01c	6.016.009.041	S	Coin mechanism Euro/N
C-01d	6.016.009.042	S	Coin mechanism Euro/dk
C-01e	Obsolete	-	-
C-02	6.014.012.019	S	Key
C-03	6.014.004.050	S	Lock incl. keys/spring

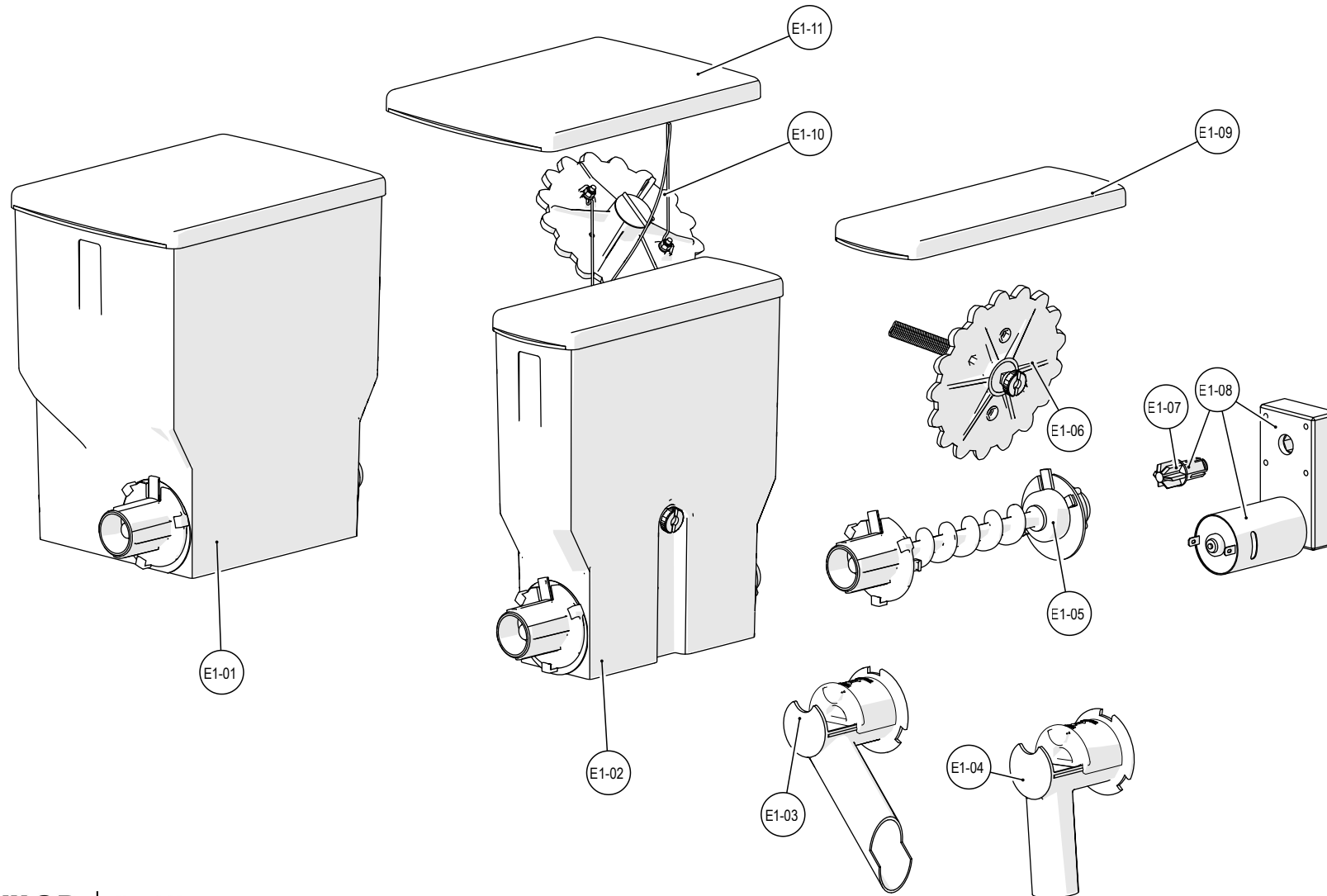


ID	Service parts	S-RS	Description
D-01	6.004.003.203	S	Micro switch
D-02	6.xxx.xxx.xxx	RS	Mainboard + software
D-03	6.004.002.089	RS	Relay
D-04	6.004.003.044	RS	Micro switch 250V/15A
D-05	6.000.231.070	RS	Brewer motor (assy)
D-06	6.001.061.002	RS	Spring pin
D-07	6.001.061.008	RS	Locking pin
D-08	6.004.011.082	RS	Trafo 240V 20V/48VA
D-09A	6.006.001.101	S	Cord inlet with pull relief (EU)
D-09B	6.006.001.109	S	Cord inlet with pull relief (GB)
D-10A	6.003.012.060	S	Connection cord (EU)
D-10B	6.003.012.118	S	Connection cord (GB)
D-11	6.004.003.043	RS	Door switch



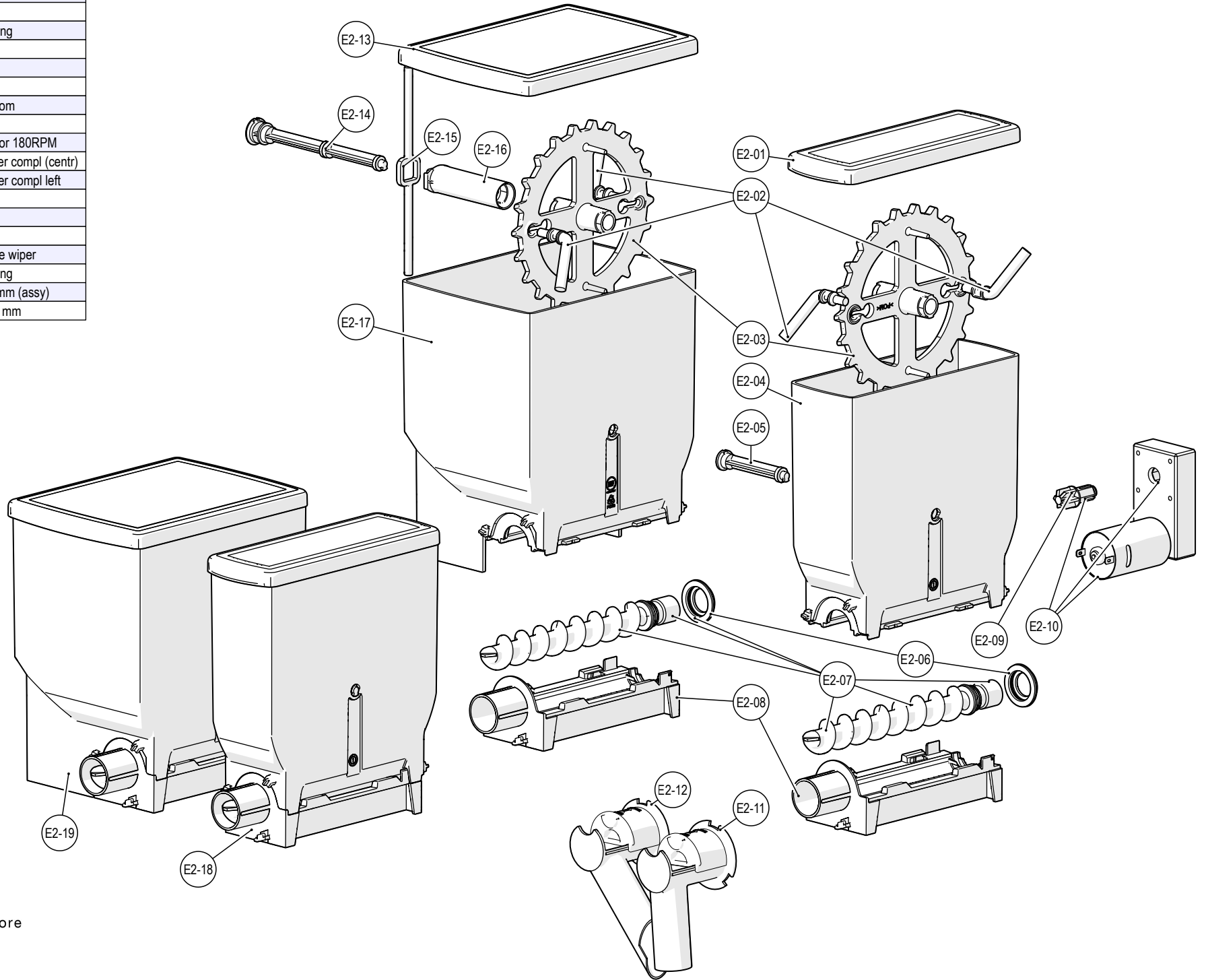
**Canisters till  
11-june-2019**

ID	Service parts	S-RS	Description
E1-01	6.000.229.123	S	Canister 65mm with spring
E1-02	6.000.229.106	S	Canister 65mm with spring
E1-03	6.229.932.000	S	Outlet canister compl left
E1-04	6.229.931.000	S	Outlet canister compl (centr)
E1-05	6.000.229.122	S	Set of canister spare parts
E1-06	6.000.229.102	S	Drive shaft assy
E1-07	6.030.074.005	S	Drive shaft
E1-08	6.030.070.017	RS	Canister motor 180RPM
E1-09	6.229.273.001	S	Lid 65mm
E1-10	6.000.229.132	S	Drive shaft assy
E1-11	6.229.274.001	S	Lid 145mm

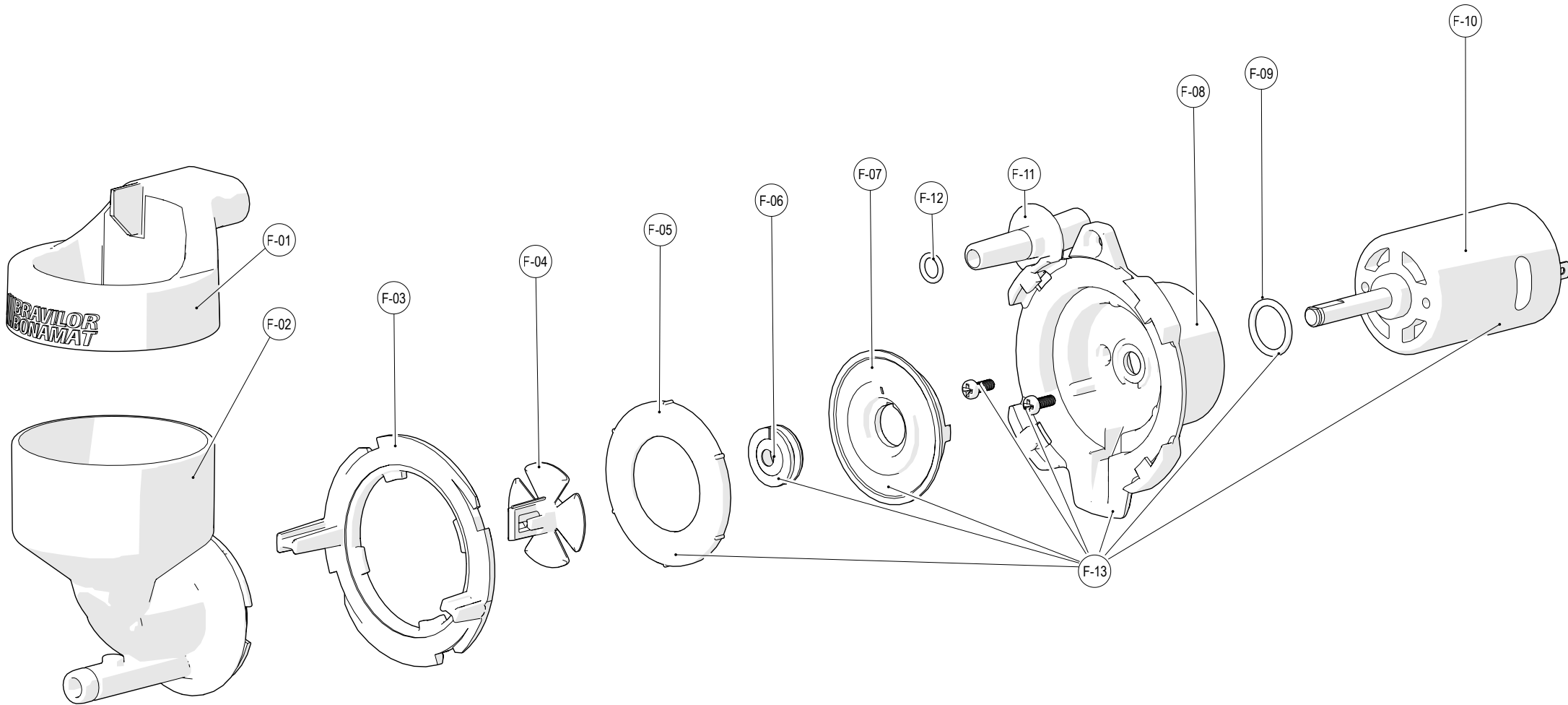


**Canisters from  
11-june-2019**

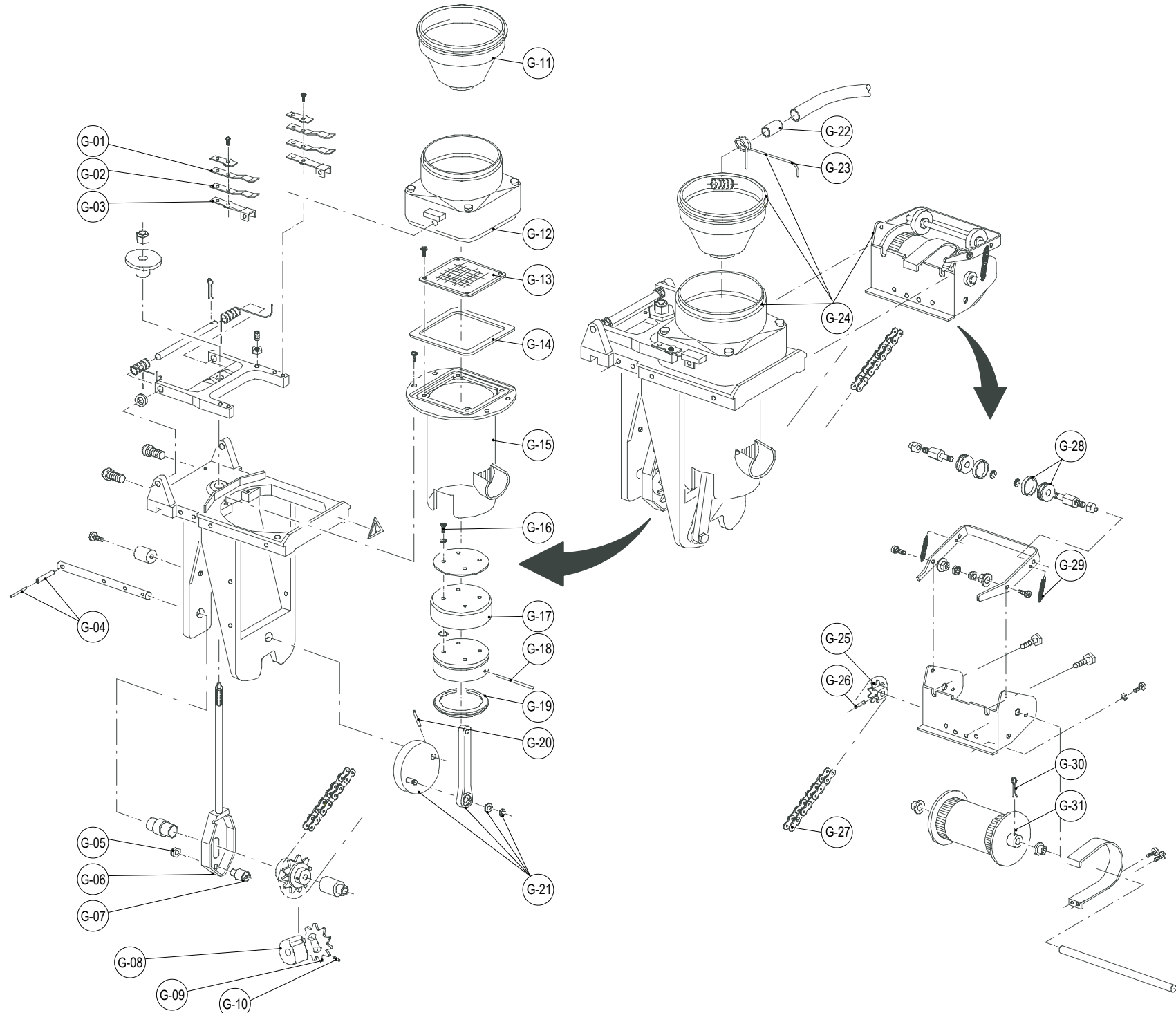
ID	Service parts	S-RS	Description
E2-01	6.329.480.000	S	Lid 65mm
E2-02	6.329.478.001	S	Wiper
E2-03	6.329.477.001	S	Drive shaft
E2-04	6.329.476.001	S	Canister casing
E2-05	6.329.486.001	S	Axle
E2-06	6.329.479.001	S	Seal
E2-07	6.000.229.219	S	Worm (assy)
E2-08	6.329.474.001	S	Canister bottom
E2-09	6.030.074.005	S	Drive shaft
E2-10	6.030.070.017	RS	Canister motor 180RPM
E2-11	6.229.931.000	S	Outlet canister compl (centr)
E2-12	6.229.932.000	S	Outlet canister compl left
E2-13	6.229.274.000	S	Lid 134mm
E2-14	6.329.502.001	S	Axle
E2-15	6.329.503.001	S	Wiper
E2-16	6.329.543.001	S	Adapter piece wiper
E2-17	6.329.500.001	S	Canister casing
E2-18	6.000.229.183	S	Canister 65 mm (assy)
E2-19	6.000.229.197	S	Canister 134 mm



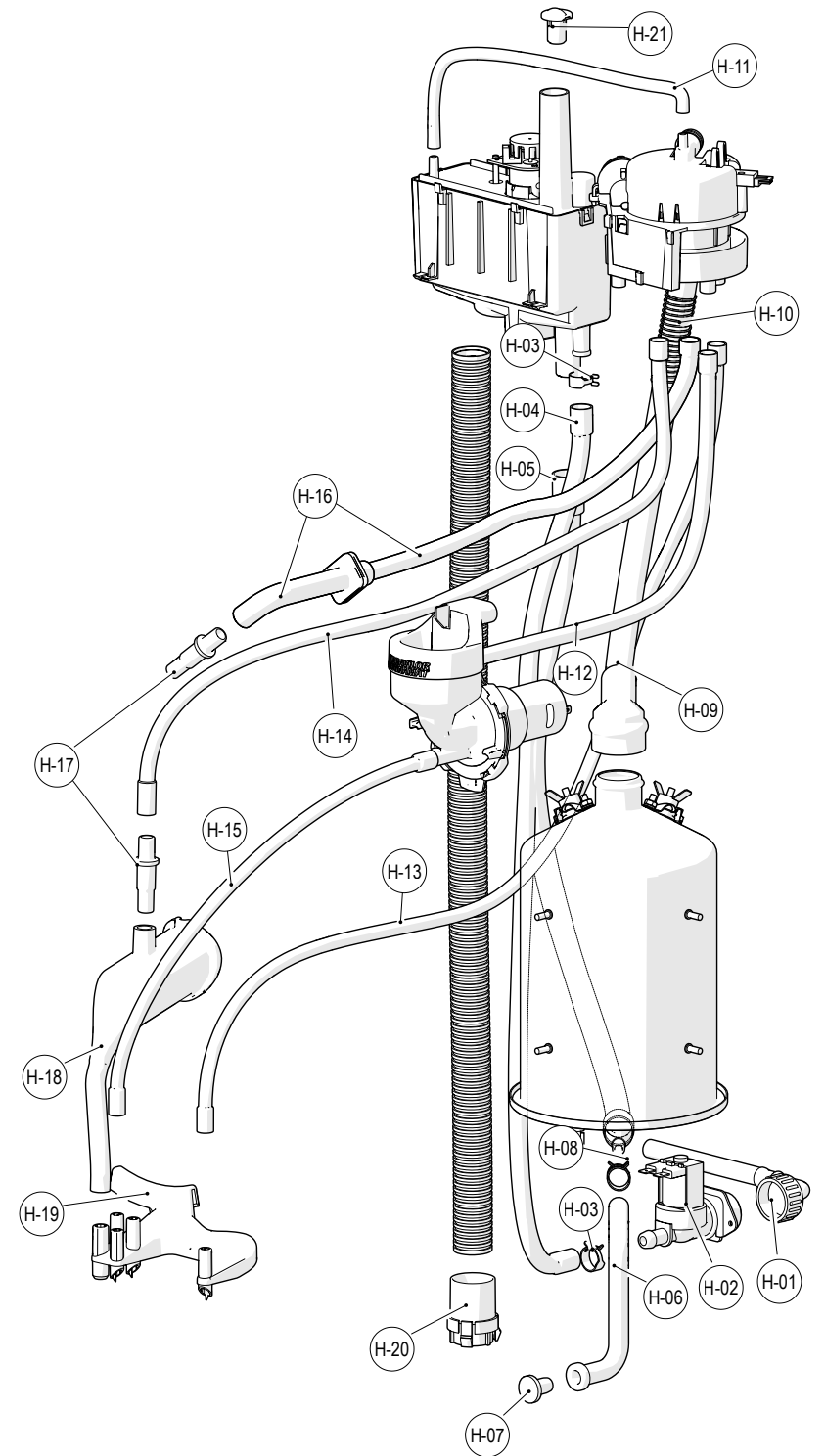
ID	Service parts	S-RS	Description
F-01	6.229.808.001	S	Condense reservoir
F-02	6.229.805.001	S	Mixing chamber
F-03	6.229.809.001	S	Fastening ring
F-04	6.229.803.001	S	Whipper disk
F-05	6.229.806.001	S	Rubber seal mixer
F-06	6.030.071.020	S	Rubber seal mixer
F-07	6.229.807.001	S	Holder rubber seal
F-08	6.229.810.001	S	Plate mixer moter
F-09	6.011.001.094	S	O-ring 13x2
F-10	6.030.070.022	RS	Mixer motor
F-11	6.229.580.001	S	Water inlet 6mm
F-12	6.011.001.073	S	O-ring 6x1,5
F-13	6.000.229.085	RS	Mixer motor



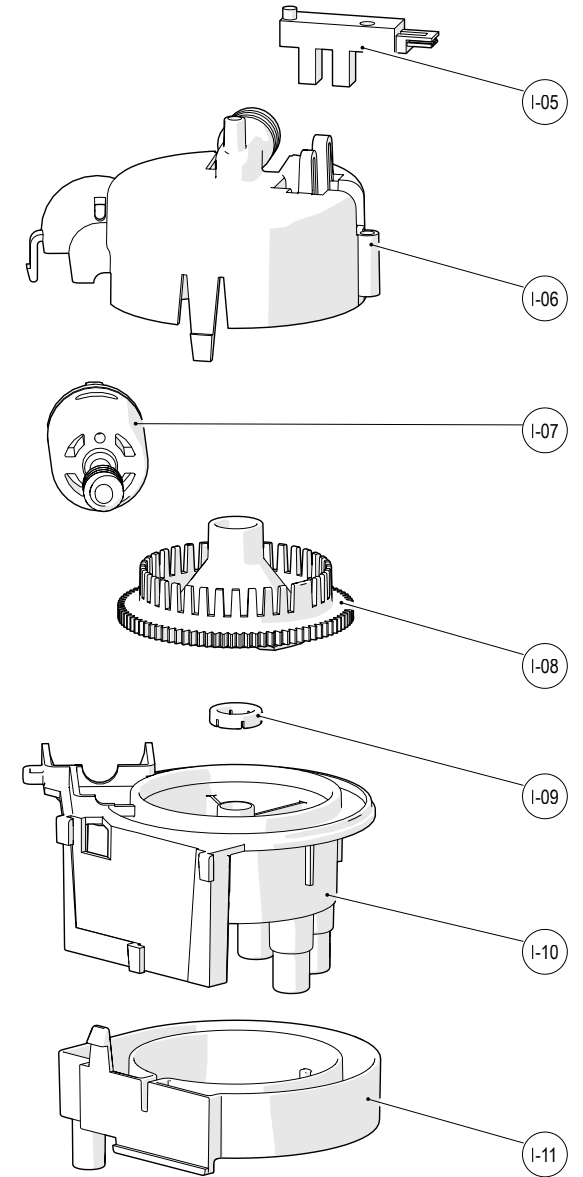
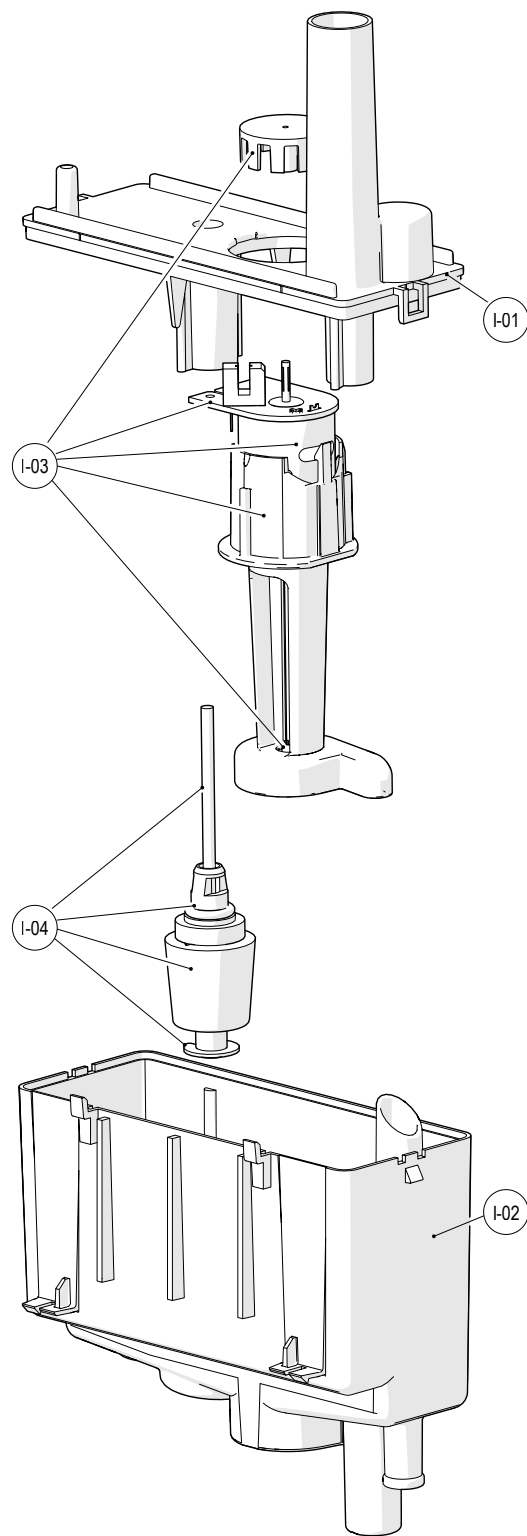
ID	Service parts	S-RS	Description
G-01	6.030.061.132	RS	Springpin
G-02	6.030.061.130	S	Spring brewerchamber
G-03	6.030.061.131	RS	Pressure spring
G-04	6.030.061.125	S	Split pin
G-05	6.030.061.113	RS	Nut
G-06	6.030.061.112	RS	Pull rod
G-07	6.030.061.111	RS	Cam follower
G-08	6.030.061.122	S	Drive cam
G-09	6.030.061.123	S	Chain wheel
G-10	6.030.061.110	RS	Spring pin
G-11	6.030.061.128	S	Funnel
G-12	6.030.061.133	RS	Brew chamber
G-13	6.030.061.102	RS	Filter screen
G-14	6.030.061.103	RS	Seal rubber
G-15	6.030.061.104	RS	Cylinder
G-16	6.030.061.105	RS	Screw
G-17	6.030.061.106	RS	Seal
G-18	6.030.061.107	RS	Spring pin
G-19	6.030.061.121	RS	Rubber ring
G-20	6.030.061.108	RS	Spring pin
G-21	6.030.061.109	RS	Crank-driving rod
G-22	6.236.257.001	S	Outlet
G-23	6.030.061.124	S	Spring
G-24	6.030.075.001	S	Brewer
G-25	6.030.061.126	S	Chain wheel
G-26	6.030.061.127	S	Split pin
G-27	6.030.061.129	S	Chain
G-28	6.030.061.116	RS	Plastic wheel Brewer
G-29	6.030.061.117	RS	Spring
G-30	6.030.061.118	RS	Split pin
G-31	6.030.061.119	RS	Tape drum



ID	Service parts	S-RS	Description	mm
H-01	6.000.205.111	S	Connection tube	
H-02	6.016.001.070	RS	Magnetic valve 2l/min 24V	
H-03	6.001.079.003	S	Tube clamp 15.6 mm	
H-04	6.019.033.014	S	Silicone tube 9.5 x 3.0	630
H-05	6.019.033.013	S	Silicone tube 11.5 x 3.0	480
H-06	6.263.081.001	S	Tube boiler drain	
H-07	6.006.002.018	S	Tightening plug 10.5 mm	
H-08	6.001.079.001	S	Tube clamp 12.1 mm	
H-09	6.229.774.001	S	Tube	
H-10	6.014.017.007	S	Spring	
H-11	6.019.033.009	S	Silicone tube 7 x 4	270
H-12	6.019.033.004	S	Silicone tube 7,5 x 2	320
H-13	6.019.033.004	S	Silicone tube 7,5 x 2	710
H-14	6.019.033.004	S	Silicone tube 7,5 x 2	520
H-15	6.019.033.004	S	Silicone tube 7,5 x 2	380
H-16	6.231.660.001	S	Tube	330
H-17	6.231.672.001	S	Tube section	
H-18	6.231.183.001	S	Outlet brewer	
H-19	6.231.638.001	S	Outlet bracket	
H-20	6.229.760.001	S	Nipple	
H-21	6.402.010.001	S	Descaling plug	



ID	Service parts	S-RS	Description
I-01	6.229.334.001	S	Lid pumpfloat tank
I-02	6.229.335.001	S	Pumpfloat tank
I-03	6.000.229.198	RS	Motor float tank (assy)
I-04	6.229.546.001	S	Float tank
I-05	6.004.026.001	RS	Light sensor
I-06	6.231.121.001	S	Lid water selector
I-07	6.000.231.022	RS	Motor water selector (assy)
I-08	6.231.120.001	RS	Water rotation disk
I-09	6.229.761.001	S	Water sealing ring
I-10	6.231.130.001	S	Outlets (4) water selector
I-11	6.231.259.001	S	Drip-tray water selector



ID	Service parts	S-RS	Description
J-01	6.016.008.064	S	High temperature safety switch
J-02	6.016.008.063	S	Spring high temp safety (4PC)
J-03	6.236.188.000	RS	Temperature sensor
J-04	6.000.229.025	RS	Flow boiler 230V/2150W
J-05	6.231.191.001	S	Ring
J-06	6.231.132.001	S	Supply boiler

